

**SECOMAK**  
a i r a t w o r k



***HV Fans***

# 587 TURBO BLOWER



The **Secomak 587 Turbo Blower** has been specially developed to deliver maximum performance yet ensuring smooth air delivery across the whole of the performance curve. A conventional blower with a similar output to the 587 would be almost three times its physical size. Designed for continuous and virtually maintenance-free running, the Turbo Blower can operate in ambient temperatures up to 40°C.

Its simple belt arrangement and large impeller gives excellent reliability while its relatively low fan speed ensures longer life. All units come complete with a stainless steel enclosure to reduce noise levels to a minimum. An intake filter is available for clean air applications.

- High Volume Output
- Low Running Costs
- Excellent Reliability
- Long Life
- Low Noise
- Virtually Maintenance Free
- Compact



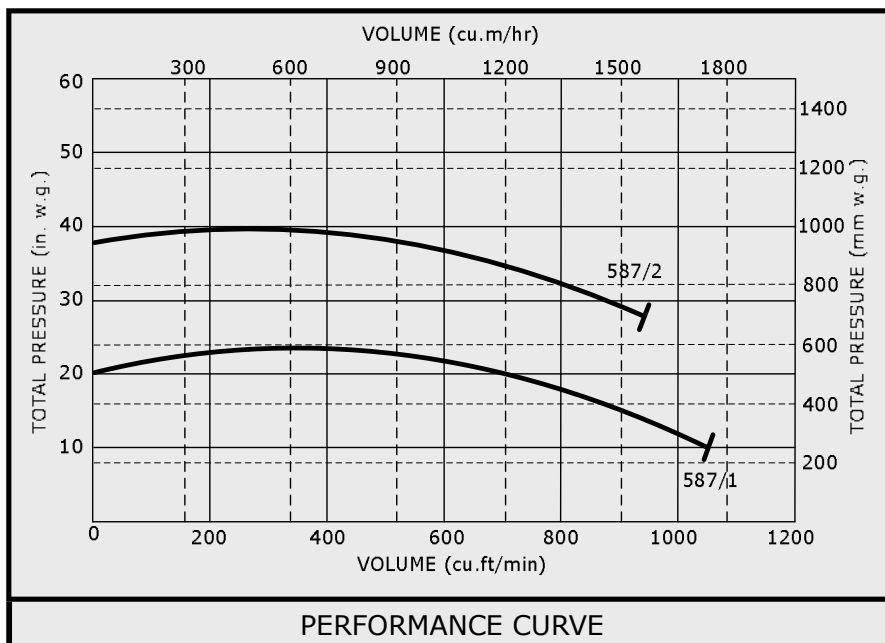
# 587 HIGH VELOCITY CENTRIFUGAL FAN



Model No.	587/1	587/2
Motor (kW)	5.5	5.5
Phase	3	3
Maximum Running Current (A)	10.6	10.6
Weight (kg)	84	84
Noise Level dB(A) *	88	90

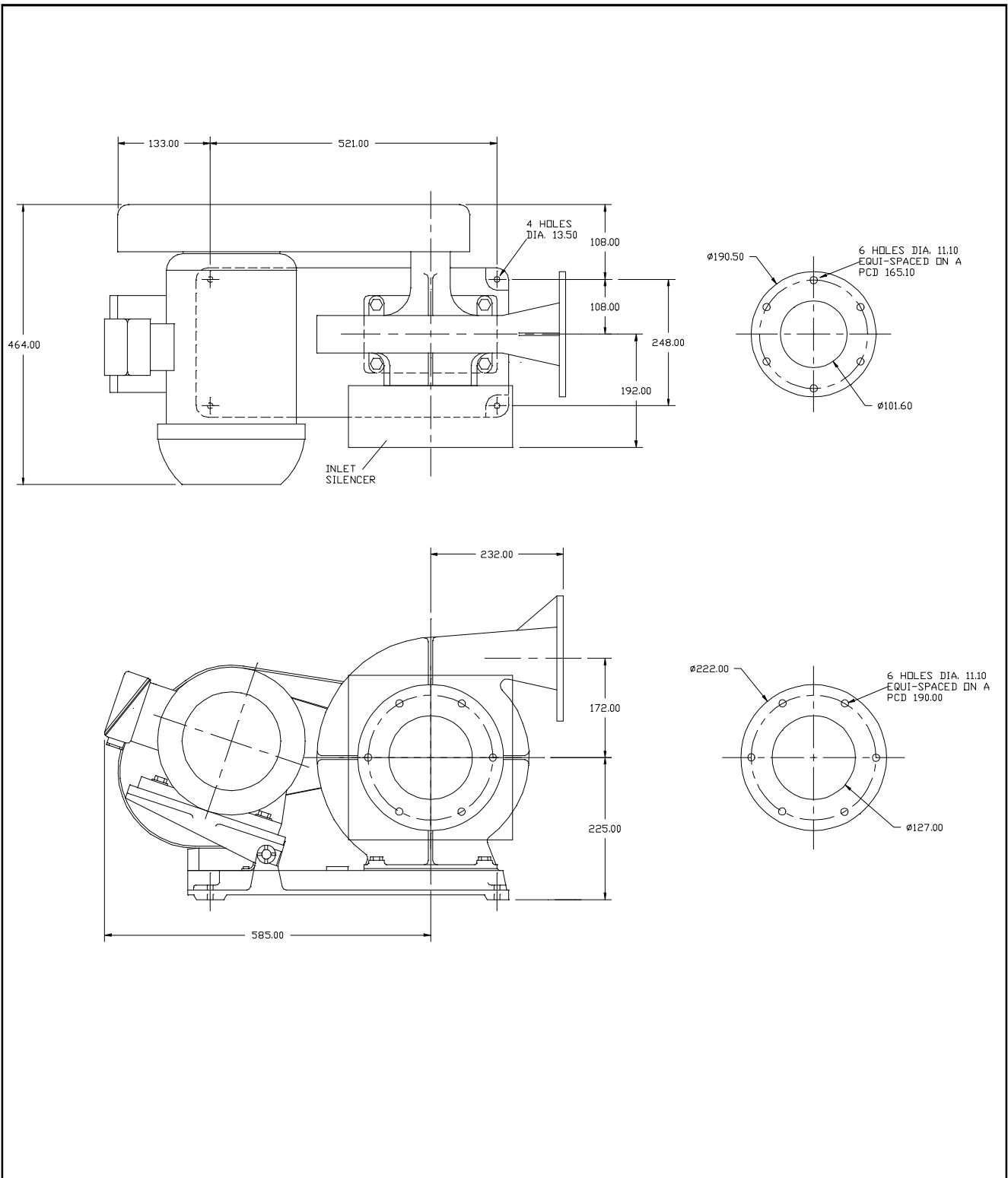
Current readings are based upon voltages of 400V 3 Phase and 230V 1 Phase.

\* Noise levels have been measured at a distance of 1m from the blower, which was fitted with an inlet silencer and a ducted outlet. In some modes of use, these fans may generate high noise levels. It will be necessary to carry out a noise survey after installation.



Thick line on performance curve shows limits of continuous rating.

# 587 HIGH VELOCITY CENTRIFUGAL FAN



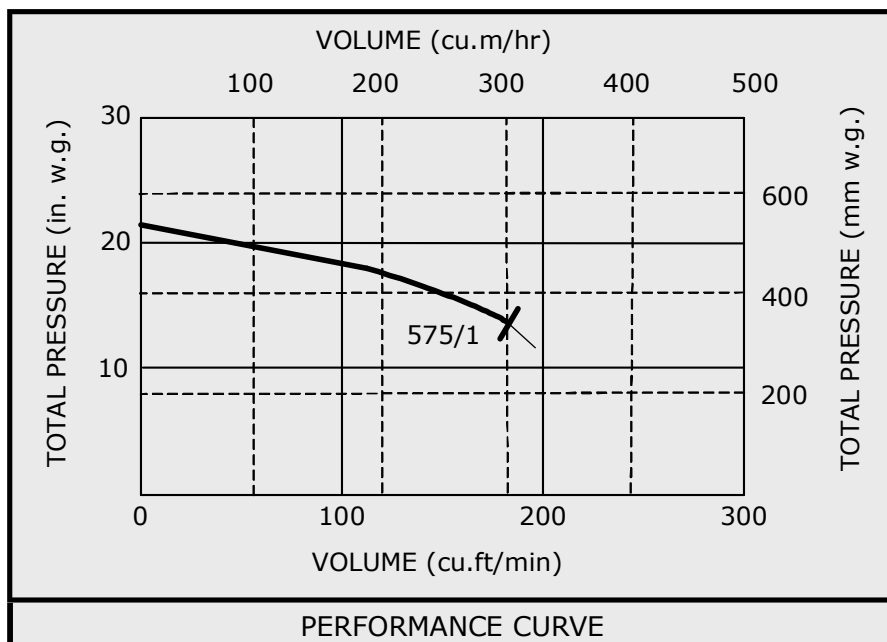
# 575 HIGH VELOCITY CENTRIFUGAL FAN



Model No.	575/1	575/1
Motor (kW)	0.55	0.55
Phase	3	1
Maximum Running Current (A)	1.5	3.5
Weight (kg)	15	16
Noise Level dB(A) *	76	76

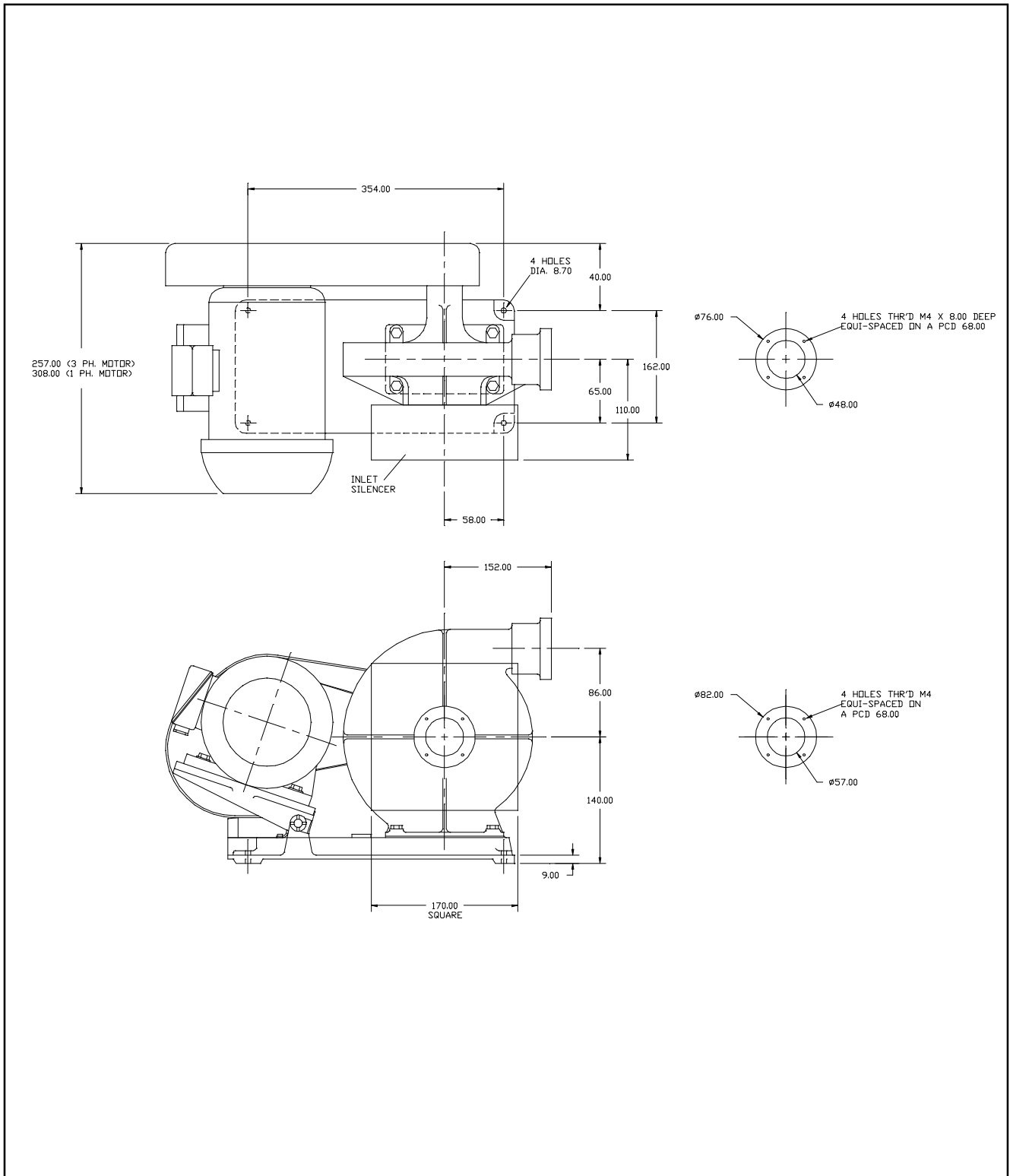
Current readings are based upon voltages of 400V 3 Phase and 230V 1 Phase.

\* Noise levels have been measured at a distance of 1m from the blower, which was fitted with an inlet silencer and a ducted outlet. In some modes of use, these fans may generate high noise levels. It will be necessary to carry out a noise survey after installation.



Thick line on performance curve shows limits of continuous rating.

# 575 HIGH VELOCITY CENTRIFUGAL FAN





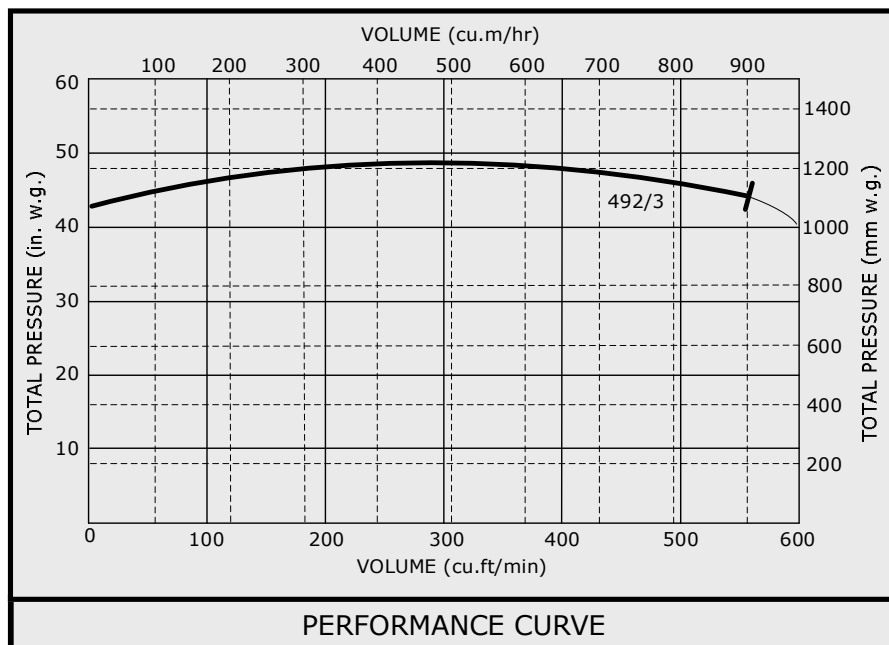
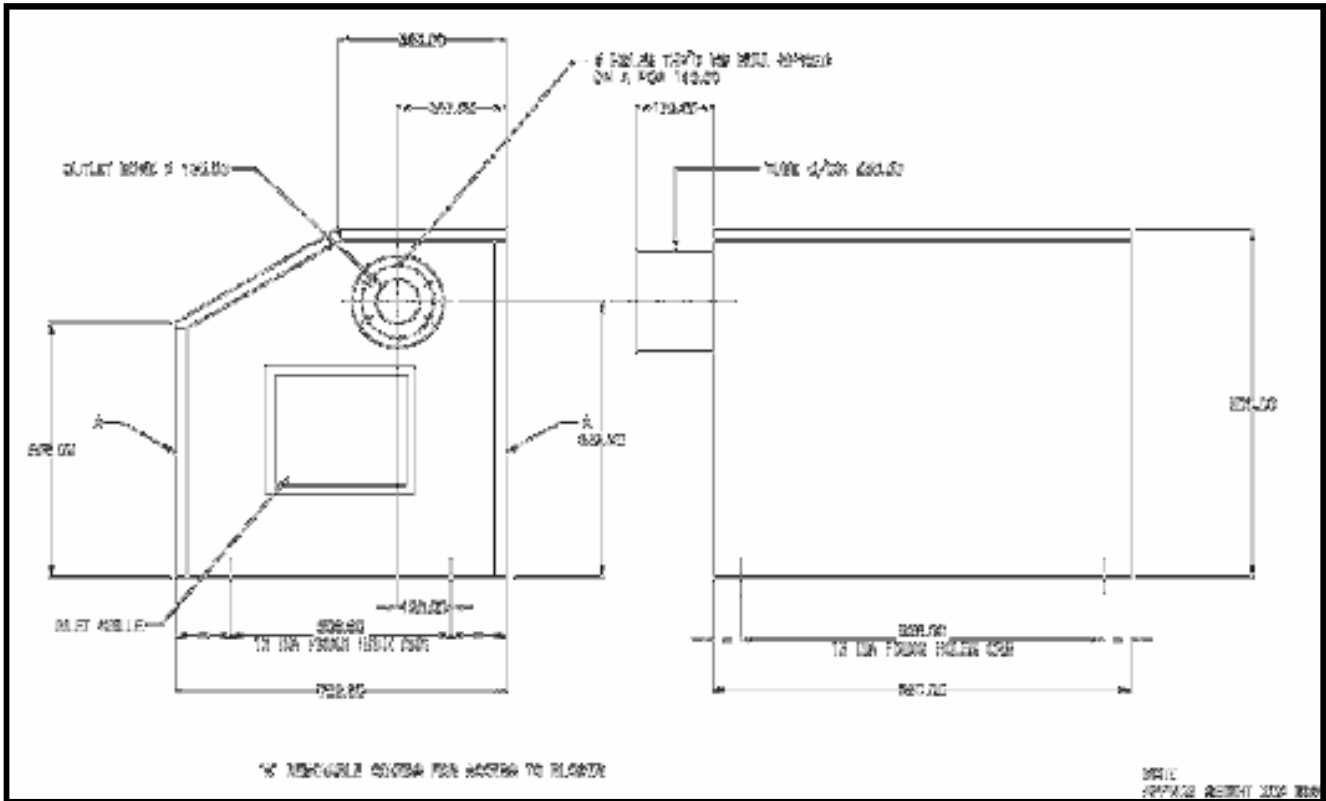
The **Secomak 492 Turbo Blower** has been specially developed to deliver maximum performance yet ensuring smooth air delivery across the whole of the performance curve. Designed for continuous and virtually maintenance-free running, the Turbo Blower can operate in ambient temperatures up to 40°C.

Its simple belt arrangement and large impeller gives excellent reliability while its relatively low fan speed ensures longer life. All units come complete with a stainless steel enclosure to reduce noise levels to a minimum. An intake filter is available for clean air applications.

- High Volume Output
- Low Running Costs
- Excellent Reliability
- Long Life
- Low Noise
- Virtually Maintenance



# 492 TURBO BLOWER



Thick line on performance curve shows limits of continuous rating.

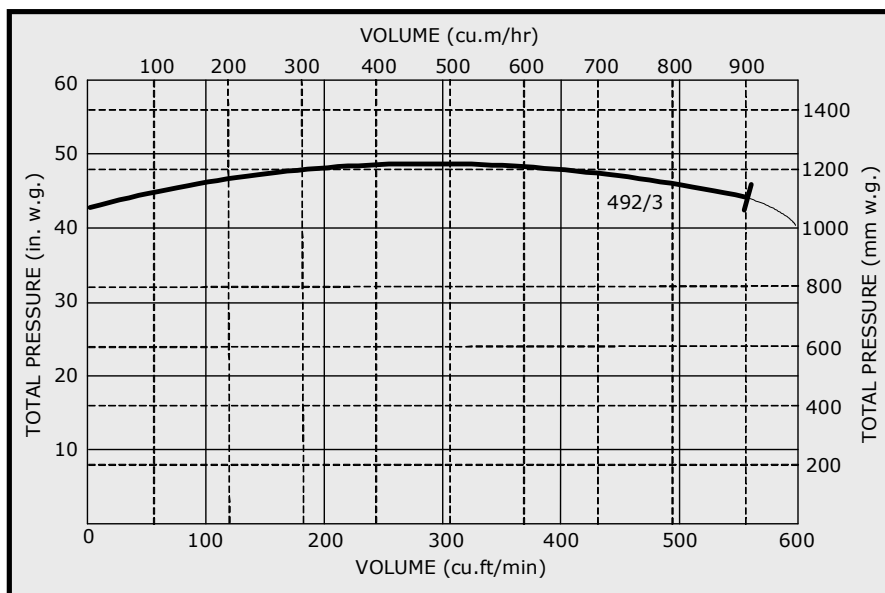
# 492 HIGH VELOCITY CENTRIFUGAL FAN



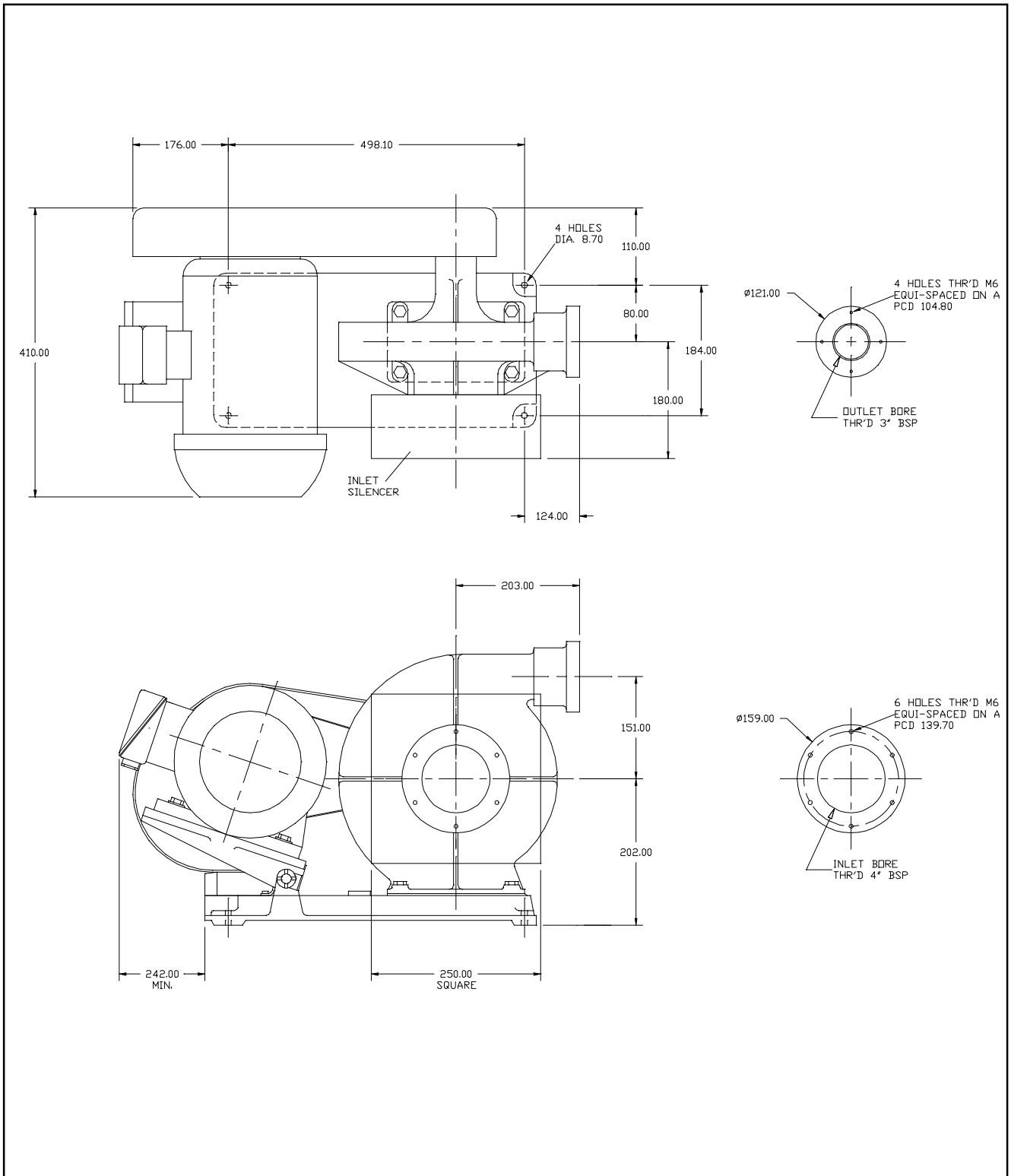
Model No.	492/3
Motor (kW)	4.0
Phase	3
Maximum Running Current (A)	7.2
Weight (kg)	60
Noise Level dB(A) *	84

Current readings are based upon voltages of 400V 3 Phase and 230V 1 Phase.

\* Noise levels have been measured at a distance of 1m from the blower, which was fitted with an inlet silencer and a ducted outlet. In some modes of use, these fans may generate high noise levels. It will be necessary to carry out a noise survey after installation.



# 492 HIGH VELOCITY CENTRIFUGAL FAN



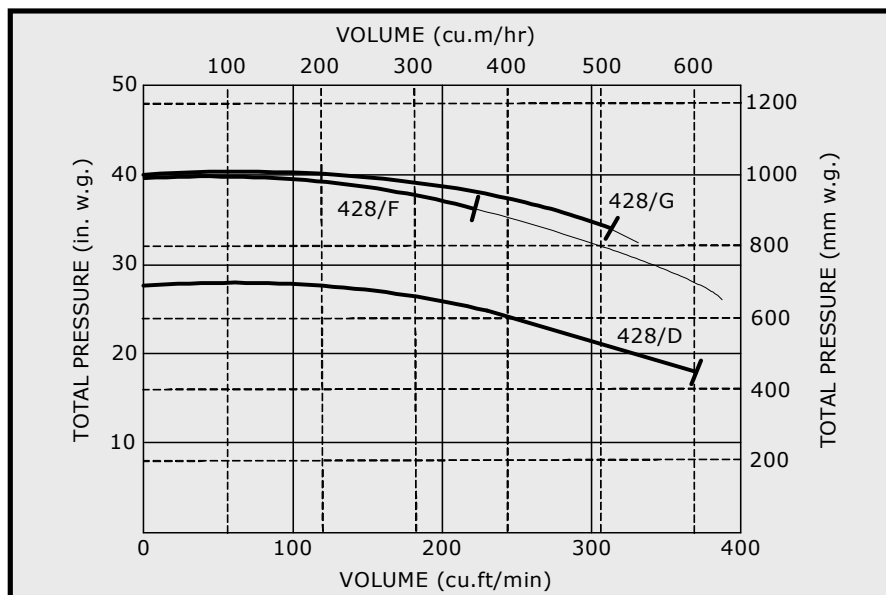
# 428 HIGH VELOCITY CENTRIFUGAL FAN



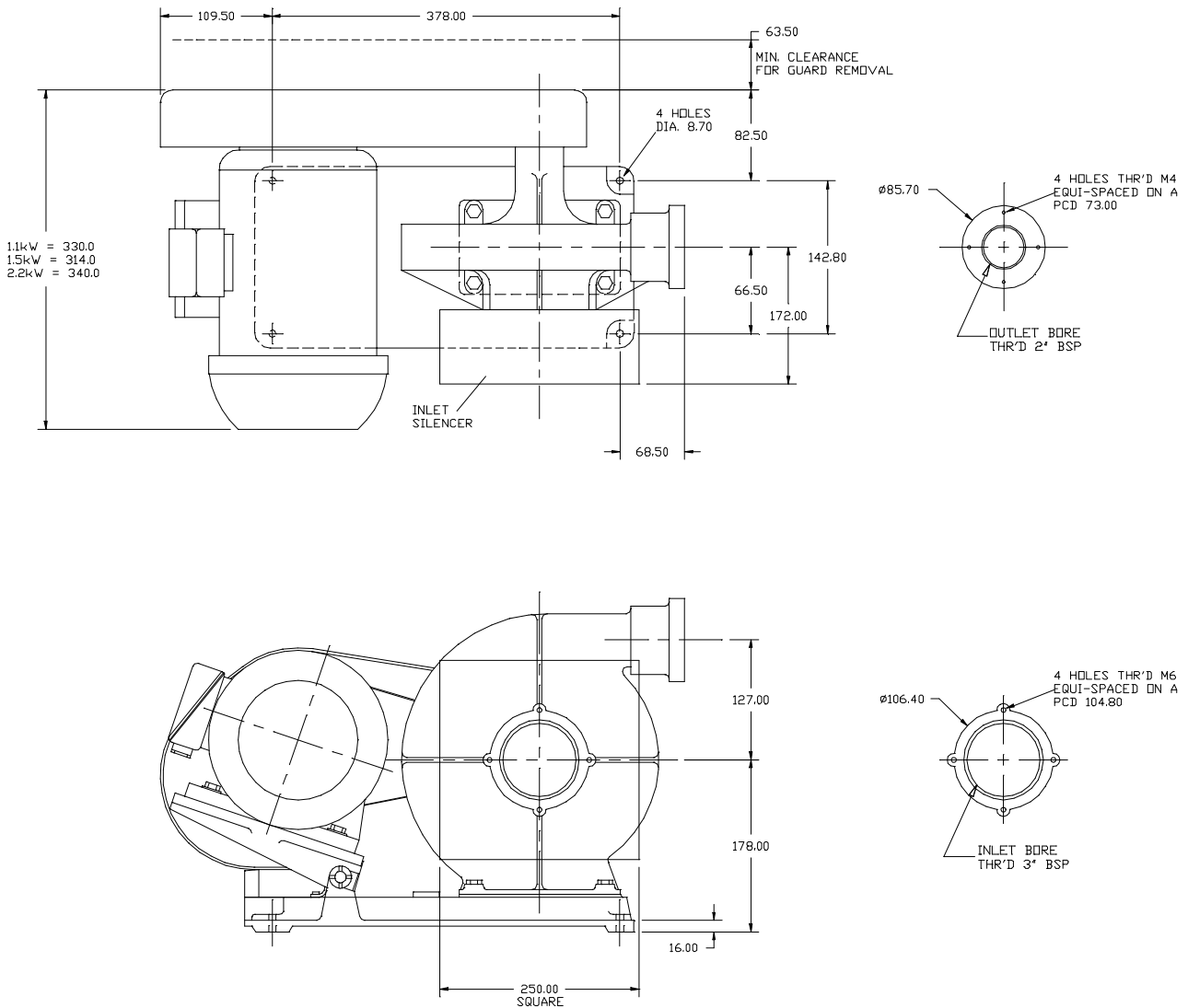
Model No.	428D	428F	428G
Motor (kW)	1.5	1.5	2.2
Phase	3	3	3
Maximum Running Current (A)	3.5	3.5	4.7
Weight (kg)	32	32	36
Noise Level dB(A) *	78	82	82

Current readings are based upon voltages of 400V 3 Phase and 230V 1 Phase.

\* Noise levels have been measured at a distance of 1m from the blower, which was fitted with an inlet silencer and a ducted outlet. In some modes of use, these fans may generate high noise levels. It will be necessary to carry out a noise survey after installation.



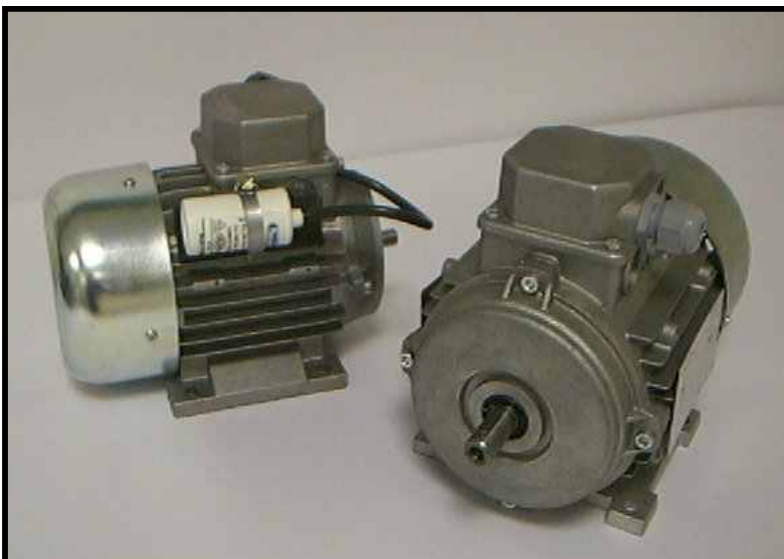
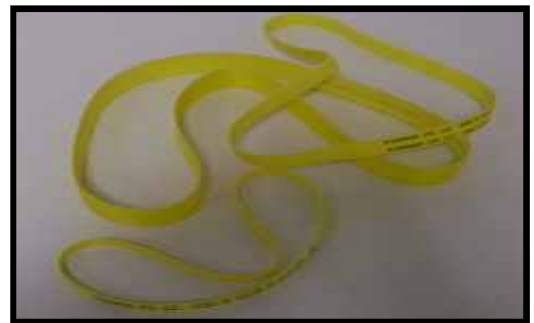
# 428 HIGH VELOCITY CENTRIFUGAL FAN





**BEARING  
ASSEMBLIES**

**DRIVE  
BELTS**



**MOTORS**



**AIR  
VALVES**



**ADAPTERS**



**HOSE  
CONNECTORS**



**FILTERS**



**FLEXIBLE  
HOSE**



**SILENCERS**

## OTHER PRODUCTS



**For details of the extensive Secomak product range contact us directly on [sales@secomak.com](mailto:sales@secomak.com), or your local distributor below:**

