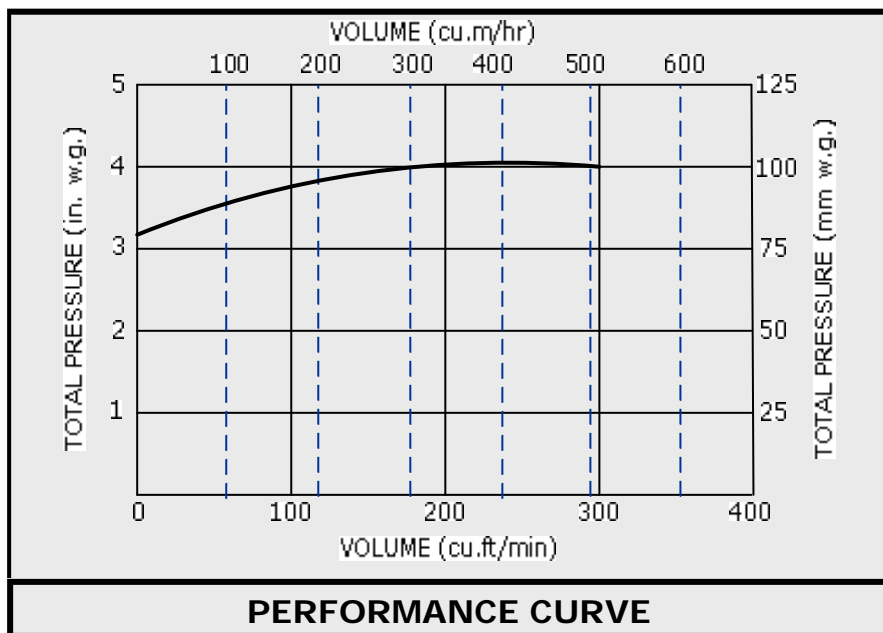


| Model No. | 513 | 513 | 513/107 | 513/103 |
|------------------------------------|------|------|---------|---------|
| Motor (kW) | 0.37 | 0.37 | 0.37 | 0.37 |
| Phase | 1 | 3 | 3 | 1 |
| Maximum Running Current (A) | 2.5 | 1.1 | 1.0 | 2.5 |
| Maximum Inlet Air Temperature (°C) | 40 | 40 | 300 | 300 |
| Weight (kg) | 12 | 10 | 12 | 13 |
| Noise Level dB(A) * | 73 | 73 | 73 | 73 |

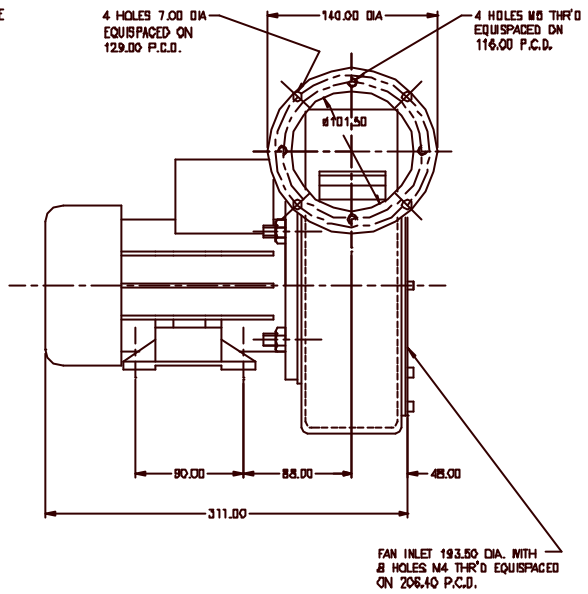
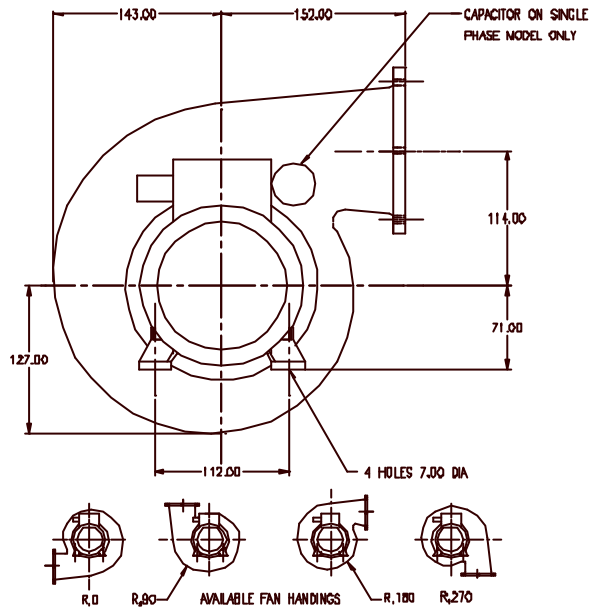
Current readings are based upon voltages of 400v 3 Phase and 230V 1 Phase.

* Noise levels have been measured at a distance of 1m from the blower, which was fitted with a ducted outlet.

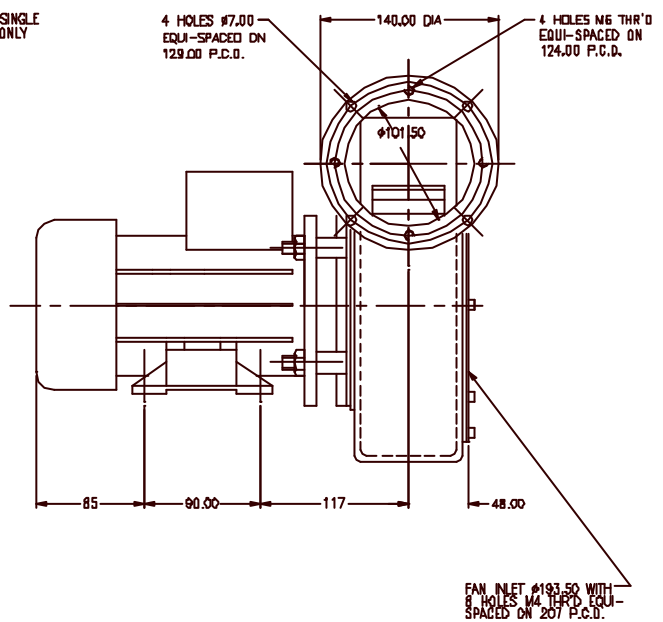
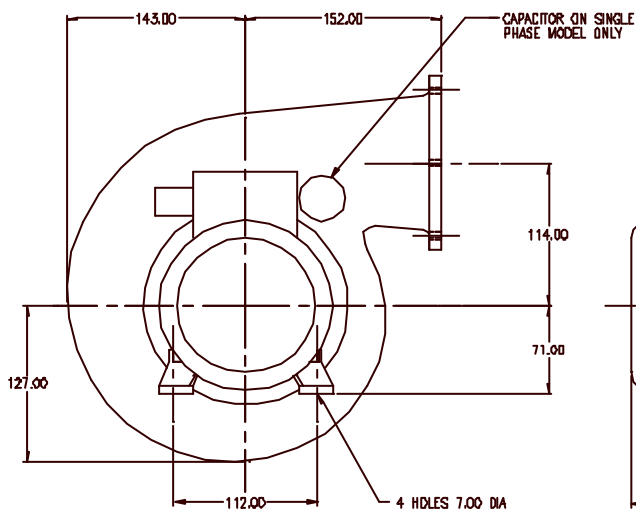


Secomak

513 DIRECT DRIVE CENTRIFUGAL FAN



MODEL 513



MODEL 513/107 & 513/103