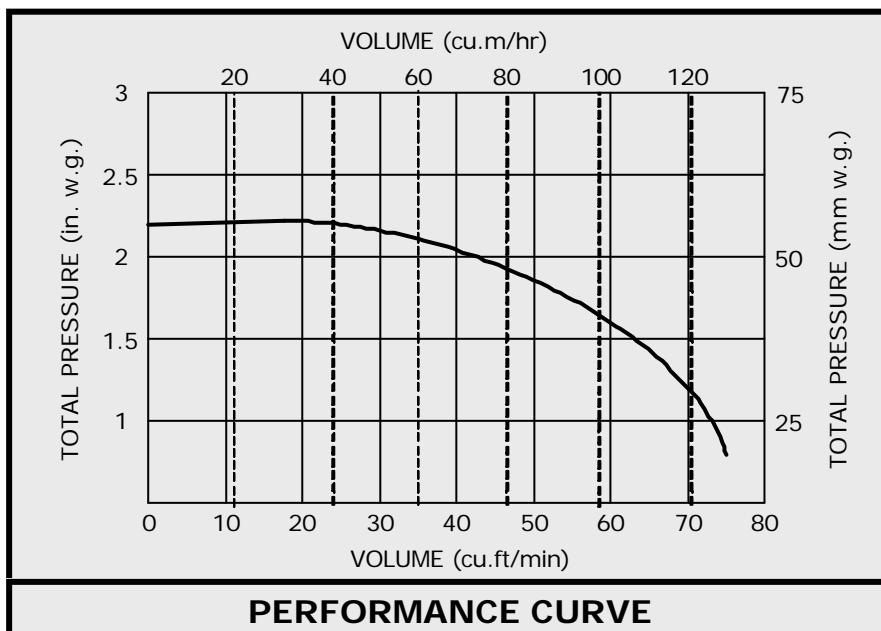




Model No.	573	573/102
Motor (kW)	0.18	0.18
Phase	1	1
Maximum Running Current (A)	1.0	1.0
Maximum Inlet Air Temperature (°C)	40	300
Weight (kg)	6	8
Noise Level dB(A) *	62	62

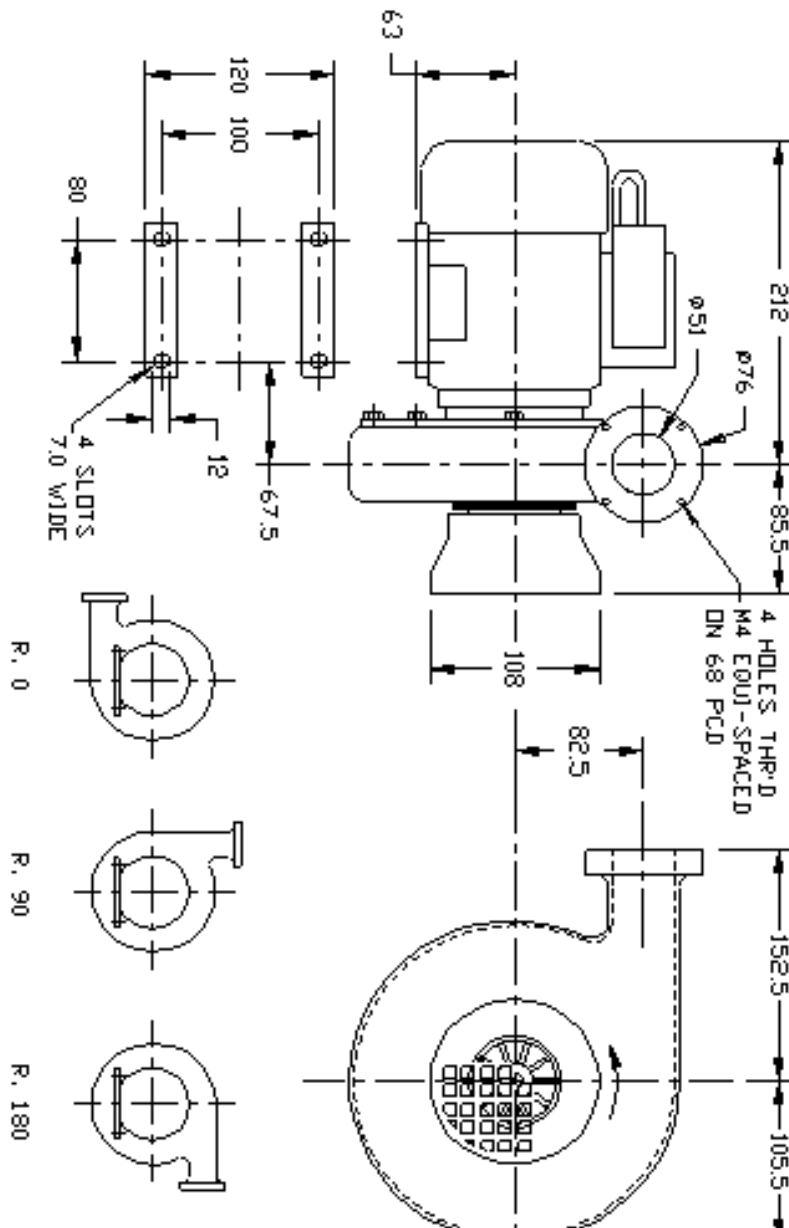
Current readings are based upon voltages of 400v 3 Phase and 230V 1 Phase.

\* Noise levels have been measured at a distance of 1m from the blower, which was fitted with a ducted outlet.



# Secomak

## 573 DIRECT DRIVE CENTRIFUGAL FAN



MODEL 573