

The Model 632 Heater consists of a single element assembly mounted inside a stainless steel tube which is enclosed in an insulated jacket. The jacket allows maximum heat transfer to the airstream while maintaining a low surface temperature. This makes the Model 632 ideal for mounting in vulnerable areas or in enclosures containing other equipment.

The inlet of the 632 is flanged and the outlet is either flanged or provided with a Duct / Hose adapter.

The Model 632 Heater will give an outlet temperature up to 300°C and is available in loadings from 1 to 12kW. The inlet of the 632 can be fitted with a thermal cut-out to protect the element in the event of the airflow becoming restricted. The Model 632 is designed to accept inlet air temperatures up to 250°C.

A variety of temperature controls are available ranging from switching devices to provide fixed loadings through to systems to monitor and regulate the output temperature.

A range of adapters is available to couple the Model 632 with a variety of SECOMAK Fans.

#### Electrical:

415V or 380V 3 phase

220V or 240V single phase

Other voltages available  
with limited loading.

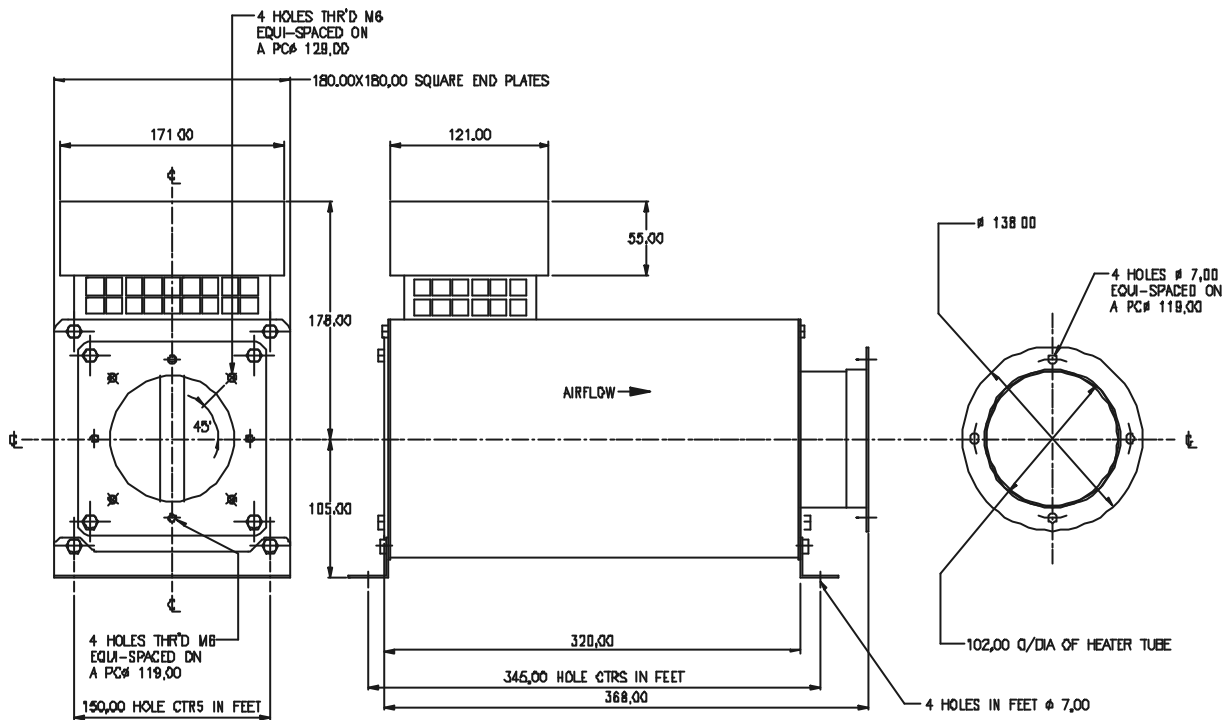
#### Maximum Outlet Temperature: 300°C

Resistance to Airflow (approx.)

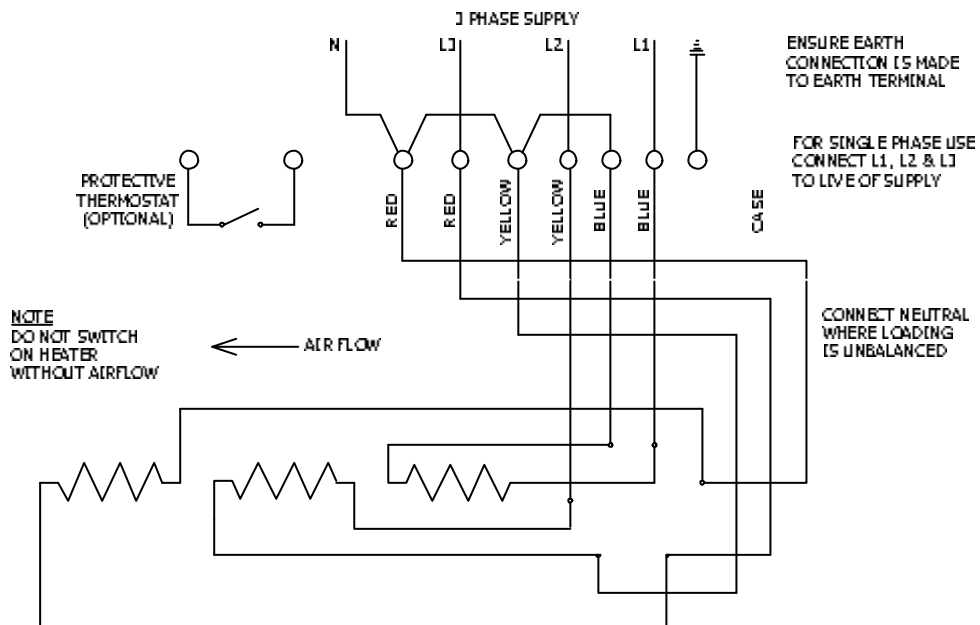
0.43" w.g. at 100 ft<sup>3</sup>/min

1.70" w.g. at 200 ft<sup>3</sup>/min

10.30" w.g. at 500 ft<sup>3</sup>/min



MODEL 632



WIRING DETAILS