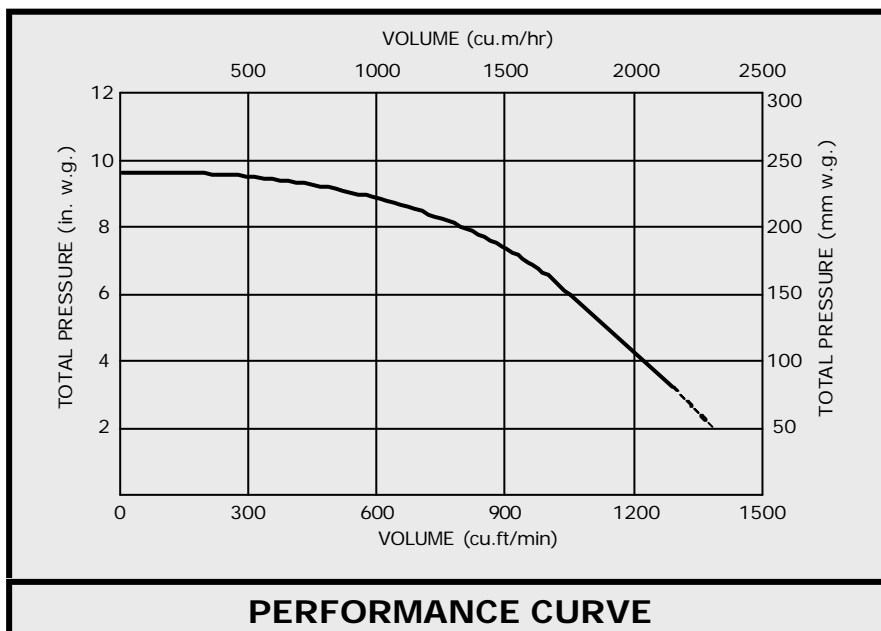


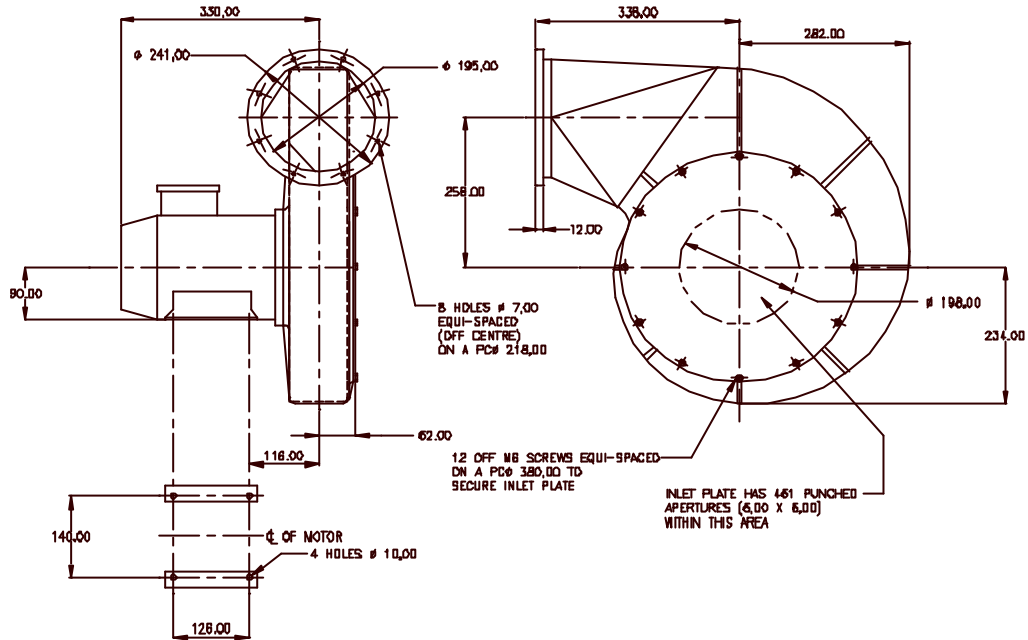


Model No.	643	643/SO
Motor (kW)	2.2	2.2
Voltage (V)	400	400
Phase	3	3
Maximum Running Current (A)	4.6	4.6
Maximum Inlet Air Temperature (°C)	40	300
Weight (kg)	34	34
Noise Level dB(A) *	88	88

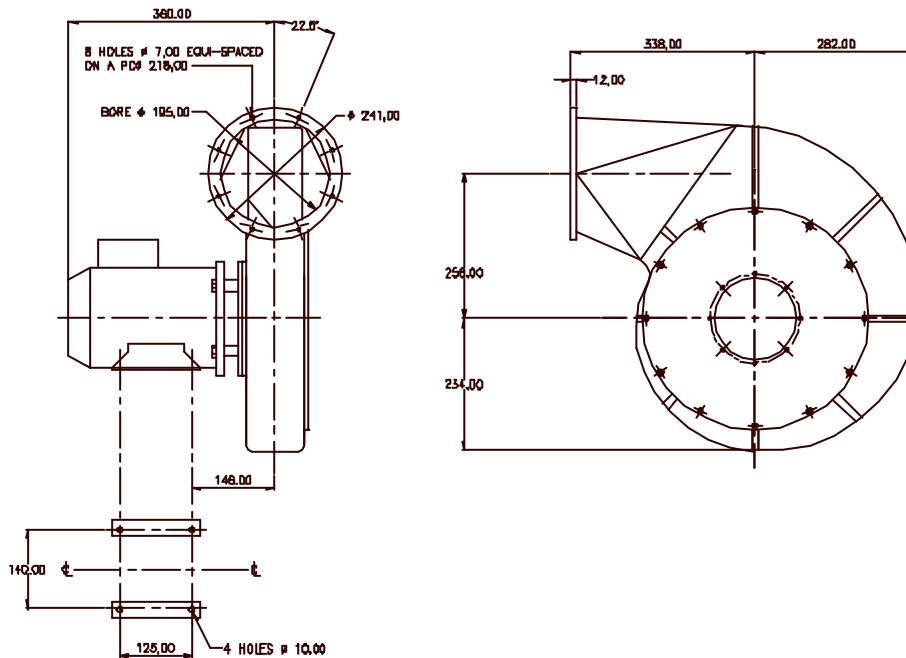
Current readings are based upon voltages of 400V 3 Phase and 230V 1 Phase.

* Noise levels have been measured at a distance of 1m from the blower, which was fitted with a ducted outlet. In some modes of use these fans may generate high noise levels. It will be necessary to carry out a noise survey after installation.





MODEL 643



MODEL 643SO