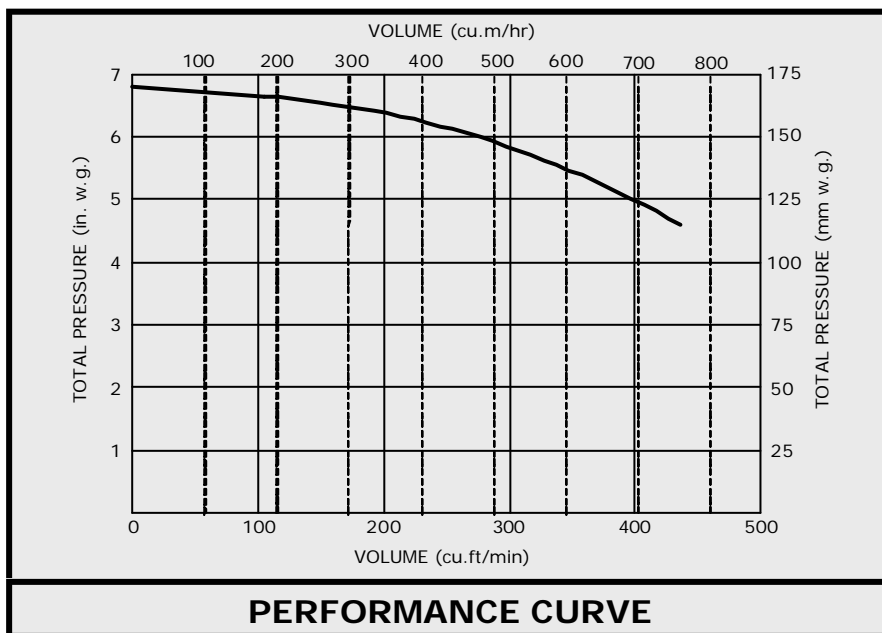




Model No.	669	669	669SO	669SO
Motor (kW)	0.55	0.55	0.55	0.55
Phase	1	3	1	3
Maximum Running Current (A)	3.5	1.5	3.5	1.5
Maximum Inlet Air Temperature (°C)	40	40	300	300
Weight (kg)	13.5	13.5	14	14
Noise Level dB(A) *	71	71	71	71

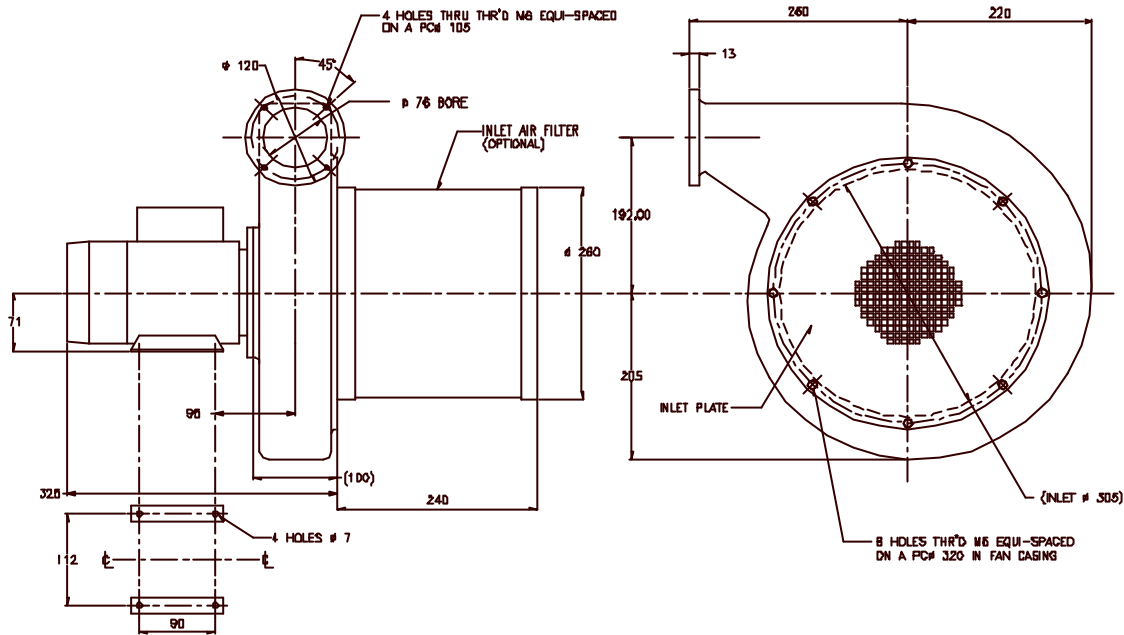
Current readings are based upon voltages of 400v 3 Phase and 230V 1 Phase.

\* Noise levels have been measured at a distance of 1m from the blower, which was fitted with a ducted outlet.

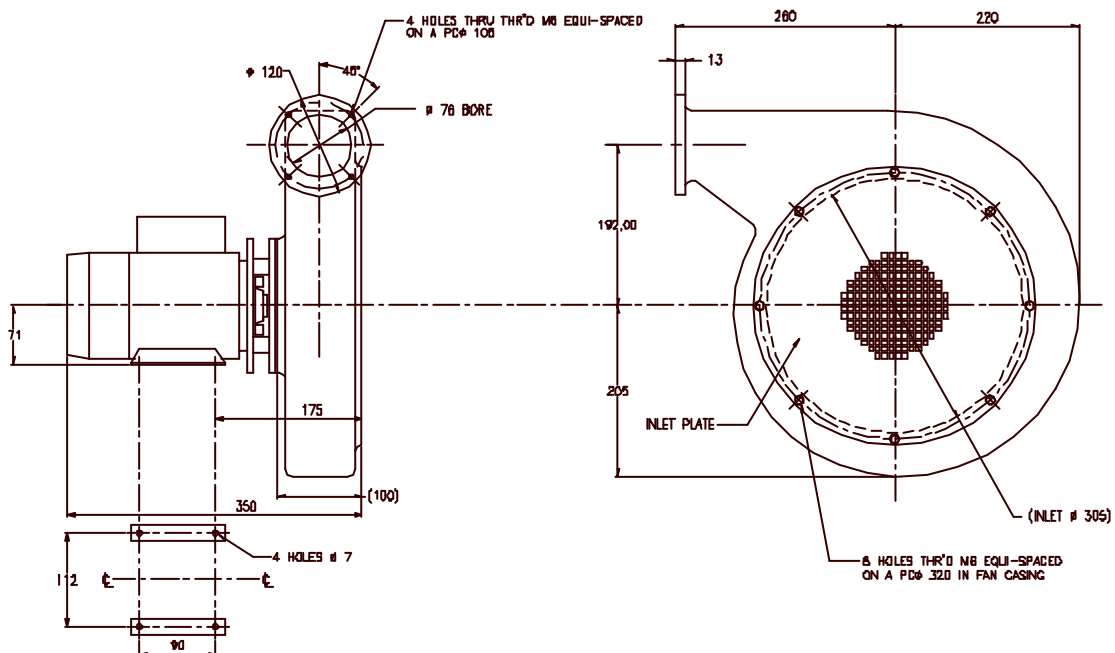


# Secomak

## 669 DIRECT DRIVE CENTRIFUGAL FAN



MODEL 669



MODEL 669SO